

*Hardwired Variant - Fuse Protected***GENERAL SPECIFICATIONS****DESCRIPTION**

The Betapack 2 range of analogue and digitally controlled dimmer packs offers one of the most cost effective and versatile solutions to dimming currently available. Manufactured to the highest professional standards, this comprehensive range of 6 x 10 Amp packs includes variants with sockets to match most global standards.

- ▶ Desk supply : + or - 20V (100mA) Switchable from front panel
- ▶ Channel protection : 32mm 10A HRC
- ▶ Cooling : Convection via rear mounted heatsink
- ▶ Dimensions : 447(W) x 177(D) x 195mm(H)
- ▶ Weight : 8Kg

SPECIFICATIONS

- ▶ Number of channels : 6
- ▶ Channel capacity : 0.1A min / 10A max
- ▶ Total dimmer capacity : 60A
- ▶ Dimmer duty cycle : 100%
- ▶ Supply Voltage :
 - Single Phase (2 wire) 230V
 - Three Phase Star (4 wire) 250/444V
 - Three Phase Delta (3 wire) 230/115V
- ▶ Supply frequency : 50Hz
- ▶ Rise time : 80uS
- ▶ Control input :
 - DMX (where fitted) via 5 Pin XLR fixed male with loop through connector. Accepts DMX512-1990. Start address set via 3 BCD switches
 - Analogue : 0 to +/- 10V (Autosensing) via 8 pin locking DIN connector
- ▶ Channel outlets : Internal terminal connections.

SUPPLIED ACCESSORIES

- ▶ Installation / Operating Instructions
- ▶ 2 x Spare 10A Fuses
- ▶ 2 x Rack / Wall mounting brackets (fitted)

ORDERING INFORMATION

- ▶ Betapack 2 Hardwired fused analogue and DMX : 00-302-03



Zero 88 Lighting Ltd, Usk House, Lakeside Close, Llantarnam Park, Cwmbran, NP44 3HD, UK.

Tel : +44 (0) 1633 838088

Fax : +44 (0) 1633 867880

Email : enquiries@zero88.com

web : www.zero88.com

© Zero 88 Lighting Ltd. October 2003 (EU). Issue 3

E&OE. Zero 88 reserves the right to make changes to equipment and prices without prior notice.



ENGINEERING SPECIFICATIONS

ELECTRONICS

The dimmer unit shall provide 6 channels of dimming control, each channel rated at a maximum of 10A. The dimmer channels shall be designed to run at 100% duty cycle.

The dimmer shall have a waveform rise time of 80 μ S for each circuit, and shall be capable of dimming resistive and inductive loads and dimmable electronic transformers.

Each dimmer channel shall be protected by a 32mm 10AHRC fuse. Control input shall be analogue 0 to +/- 10 Volts via an 8 pin locking DIN connector. The dimmer shall auto-sense the control input voltage. The dimmer shall provide power for a manual lighting control console via the DIN connector. The voltage shall be selectable via a front panel switch and shall be capable of providing + or - 20 Volts.

DMX input (where fitted) shall be via a 5 pin XLR fixed male with a XLR 5 fixed socket loop through connector.

The dimmer shall accept DMX512-1990 and shall have DMX start address selection via front panel BCD switches. Status indicators on the front panel shall provide DMX present and DMX error information.

DMX end of line termination shall be provided and shall be set via an internal link. The dimmer shall provide 2 dimming laws : linear and s-law. These laws shall be selectable via an internal link.

A DMX failure option switch shall dictate the actions of the dimmer in the event of a DMX control signal failure. Options shall be given to hold the last known lighting state, or fade to black in 3 seconds.

The analogue and DMX control inputs shall be mixed on a highest takes precedence basis.

Each channel of the dimmer shall have a test button, with adjustable test level. The dimmer channel preheats shall be adjustable, with dimmers being controlled in pairs for this purpose.

Dimmer outlets shall be via internal terminals, with separate live, neutral and earth connections for each channel.

The dimmer shall be convection cooled, requiring no forced air within it's normal operating range.

ELECTRICAL

The dimmer shall operate on single or three phase main supplies. Three phase supplies may be in Star or Delta configuration.

Power input shall be via four 5 mm studs plus a case Earth. For single phase operation a busbar shall be provided for connection.

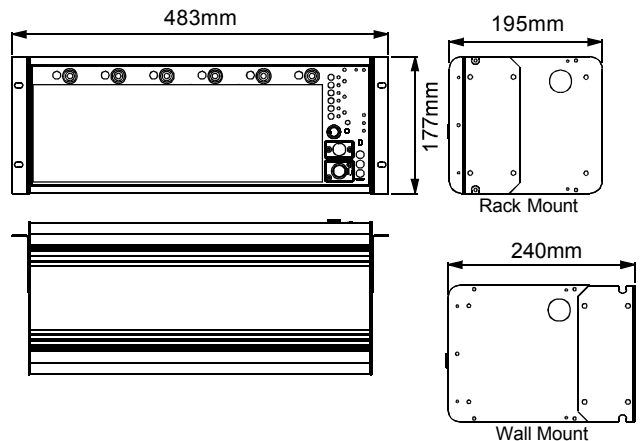
MECHANICAL

The dimmer shall be designed to be freestanding, wall-mounted or mounted in a 19" rack. The dimmer shall be 447mm wide x 195mm deep x 177mm in height. The top and bottom covers shall be constructed of extruded aluminium and shall be designed to facilitate easy removal for access to the dimming electronics. The front and end panels shall be 0.9mm gauge steel. All metal surfaces shall be properly treated and finished with specialist paints or powder coat. Front panel legends shall be screen printed. The rear heatsink shall be constructed of extruded aluminium and shall be in a natural aluminium finish. The dimmer shall have knockouts for cable entry in each end, with two knockouts in the rear. The size of all knockouts shall be PG21.

Input connections and operator controls shall be located on the front panel of the dimmer. The bottom cover of the dimmer shall be fitted with captive rubber feet.

The dimmer shall be fitted with reversible brackets to facilitate wall or rack mounting. These brackets shall be finished to complement the dimmer unit.

The normal operating environment for the dimmer shall be +5°C to +40°C.



Zero 88 Lighting Ltd, Usk House, Lakeside Close, Llantarnam Park, Cwmbran, NP44 3HD, UK.

Tel : +44 (0) 1633 838088

Fax : +44 (0) 1633 867880

Email : enquiries@zero88.com

web : www.zero88.com

© Zero 88 Lighting Ltd. October 2003 (EU). Issue 3

E&OE. Zero 88 reserves the right to make changes to equipment and prices without prior notice.

