

10 Amps per channel - MCB protection**GENERAL SPECIFICATIONS****DESCRIPTION**

The Install 6 is a wall mounting digital dimmer offering one of the most effective dimming solutions available. Manufactured to the highest professional standards, this comprehensive range of 6 x 10 amp packs includes variants with sockets to match most global standards.

SUPPLIED ACCESSORIES

- ▶ Installation/Operating Instructions.

ORDERING INFORMATION

- ▶ Install 6 - Hardwired : 01-410-03
- ▶ Install 6- Uk 15Amp : 01-410-11
- ▶ Install 6 - Schuko : 01-410-21
- ▶ Install 6 - French : 01-410-23
- ▶ Install 6 - CEE17 : 01-410-61

**SPECIFICATIONS**

- ▶ Number of channels : 6
- ▶ Channel capacity : 0.1A min / 10 A max
- ▶ Total dimmer capacity: 60 Amps
- ▶ Dimmer Duty Cycle : 100%
- ▶ Supply Voltage:
 - ▶ Single Phase (2 wire) 230 +/- 10 Volts
 - ▶ Three Phase Star (4 wire) 230/400 +/- 10 Volts
- ▶ Supply Frequency : 45-65 Hz
- ▶ Rise Time : 80 uS
- ▶ Control Input : DMX512 via 5 Pin XLR fixed male with loop through and optional termination.
- ▶ ChilliNet Interface
- ▶ Channel Outlet options:
 - ▶ UK 15Amp
 - ▶ CEE17
 - ▶ Schuko
 - ▶ French
 - ▶ Hardwire
- ▶ Dimmer Laws : 3 dimmer laws (Normal, Linear, Switch).
- ▶ Memories : 12 static
- ▶ User Interface : 7 segment display with navigation keys.
- ▶ DMX fail mode : DMX Hold, Fade to Black or Fade to Memory
- ▶ Programmable channel attributes:
 - ▶ Preheat per channel (5%)
 - ▶ Dimmer law
- ▶ Channel Protection: 10A thermal magnetic circuit breaker.
- ▶ Cooling: Side mounted fan.
- ▶ Dimensions: 334mm (H) x 459mm (W) x 158mm (D)
- ▶ Weight: 11.0Kg

Zero 88 Lighting Ltd, Usk House, Lakeside Close, Llantarnam Park, Cwmbran, NP44 3HD, UK.

Tel : +44 (0) 1633 838088

Fax : +44 (0) 1633 867880

Email : enquiries@zero88.com

web : www.zero88.com

© Zero 88 Lighting Ltd. August 2004 (EU). Issue 1

E&OE. Zero 88 reserves the right to make changes to equipment and prices without prior notice.



10 Amps per channel - MCB protection**ENGINEERING SPECIFICATIONS****ELECTRONICS**

The Dimmer unit shall provide 6 channels of dimming control, each channel rated at a maximum of 10A. The dimmer shall be designed to run at 100% duty cycle.

The dimmer shall have a waveform rise time of 80 uS for each circuit, and shall be capable of dimming resistive and inductive loads and dimmable electronic transformers.

Each channel shall be protected by a 10 A thermal magnetic circuit breaker. Circuit breakers shall have a 6000A breaking capacity.

DMX input shall be via a fixed 5 pin male XLR with a fixed 5 pin DMX loop through connector. The Dimmer shall accept DMX512-1990. The DMX start address shall be selectable via the user interface. Status indicators on the front panel shall provide information on DMX present, error and termination. DMX termination shall be selectable via the user interface. DMX failure options shall be set from the user interface and will provide for retaining last state, fade to set memory or fade to black over 3 seconds.

The dimmer shall provide three dimmer laws, switch, Linear and S, these can be selected using the user interface. It shall be possible to select a preheat on a per channel basis. The preheat value is 5%.

Dimmer outlets shall be on the front panel. A range of socket options shall be provided. There shall be two sockets per outlet. A Hardwire option shall be available.

The dimmer shall be fan cooled. A temperature sensor on the main heatsink monitors the internal temperature of the dimmer. If the temperature exceeds pre-set levels, the output levels are first reduced, then switched off altogether until the temperature falls to a safe level. It shall not be possible to override this feature.

ELECTRICAL

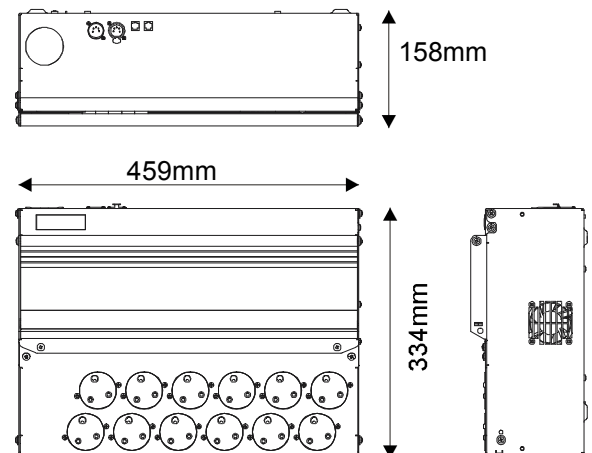
The dimmer shall operate on star 3 phase or single phase. Connection shall be via screw terminals. Terminals shall accept a 10mm square cable.

MECHANICAL

The dimmer shall be suitable for easy wall mounting. The dimmer shall be 334mm high by 459mm wide by 158mm deep. The unit shall be constructed from 1.2mm steel. The unit shall have an opening front cover to facilitate easy access to dimming electronics and wall mounting. Legends shall be screen printed onto the front panel. Knockouts for cabling shall be provided on the top and bottom panels of the dimmer.

All operator interfaces shall be on the front panel of the dimmer. The user interface shall comprise of 3 x 7 segment displays, 8 labelled LEDs and four buttons.

The normal operating environment for the dimmer shall be +5 deg to 40 deg Celsius.



Zero 88 Lighting Ltd, Usk House, Lakeside Close, Llantarnam Park, Cwmbran, NP44 3HD, UK.

Tel : +44 (0) 1633 838088

Fax : +44 (0) 1633 867880

Email : enquiries@zero88.com

web : www.zero88.com

© Zero 88 Lighting Ltd. August 2004. Issue 1

E&OE. Zero 88 reserves the right to make changes to equipment and prices without prior notice.

