



# CHILLI PRO 6 DIMMER

## SIX CHANNEL, 25A, INSTALLATION DIMMER

### CHILLI PRO 6 KEY FEATURES

- 6 Dimming Channels
- 25 Amps per channel
- MCB per channel
- RCD protection
- Lockable breaker cover
- Wiring chamber for easy installation

### ALL CHILLI PRO DIMMERS INCLUDE:

- Single Pole Neutral Disconnect breakers per channel
- Automatic frequency tracking
- 100% Duty Cycle, convection cooled
- Simple user interface
- Variable level channel test
- 4 dimmer laws selectable per channel
- Preheat per channel
- Topset per channel
- DMX & ChilliNet control inputs
- DMX addressing per channel
- RDM enabled
- Built in, switchable, DMX line termination
- User defined back up memory
- Easy wall installation
- Common service applications need only a screwdriver
- UK designed and built
- 3 year warranty
- CE compliant to all relevant standards
- Designed and manufactured to ISO9001:2015 standards



### OVERVIEW

The Chilli Pro 6 is a six channel, inductive installation dimmer with 25 Amp, neutral disconnect MCBs per channel and RCD protection on the incoming supply.

### THE CHILLI PRO RANGE

Today's performance installations demand that lighting control intelligence can operate building wide. Chilli Pro have been designed from the start with this in mind and can deliver outstanding performance dimming.

Chilli Pro is a range of high density wall mounted convection cooled power switching and dimming cabinets. Quick to install and set up, easy to operate and maintain; Chilli Pros are the workhorse of any hard working professional venue.

Chilli Pros are available in 12 and 24 channel packages featuring 10 or 16 Amp load capacities with optional RCD protection, relay channels, bypass switches and RCBOs, contained in a slim line wall mounting enclosure.

The user interface and backlit LCD screen on each dimmer ensure simple convenient set up for DMX patching, preheat, topset and dimmer curves and for peace of mind, the user interface and all breakers are also protected by a lockable breaker cover.

A choice of responses to DMX failure, backup memories, built in chases and an alarm input trigger complete the versatile Chilli dimming package.

## ORDERING INFORMATION

0011-000020-00 Chillii Pro 6 - 25A MCBs + RCD

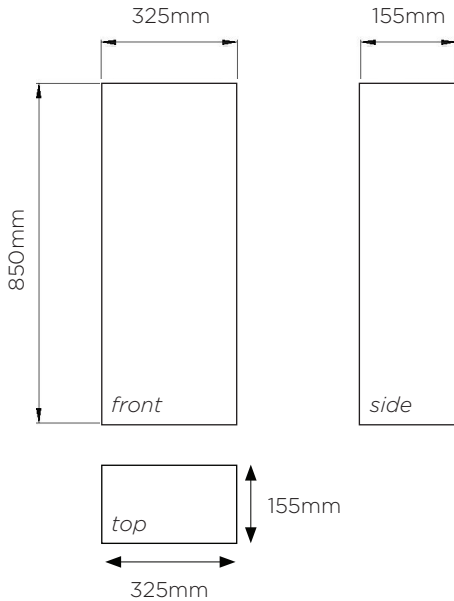
## SUPPLIED ACCESSORIES

Installation / Operating Instructions

## ALSO SUPPORTS CHILLINET

- 12 memories per area
- 3 sequences
- 10 areas available

## DIMENSIONS:



Weight: 21.5kg

## SPECIFICATIONS

- Number of channels: 6
- DMX Address: Addressable per channel
- Channel Capacity: 0.1A min / 25 Amp max
- Total dimmer capacity: 150 Amp / 50 Amp per phase
- Dimmer duty cycle: 100%
- Dimmer curves: Normal, Linear, Switched and Square
- Memories: 12
- Sequences: 3
- Areas/zones: 10
- Topset: Selectable per channel
- Supply voltage: 200-255V (3 phase supply)
- Operates on three phase. Can be modified for single phase by using a special order kit. Contact Zero 88 for more information.
- Supply frequency: 45 to 70Hz auto-sensing and auto-tracking
- Rise Time: 120uS
- Control Input:
  - DMX via terminal block accepts DMX 512-1990.
  - Start address set via front panel controls
  - DMX termination may be switched in or out internally
- ChilliiNet Support
- RDM Enabled
- Channel outlets: Outlet connections via 6mm<sup>2</sup> terminal strip
- Case has the following knockouts:
  - Top 2 x Ø50.0mm, 1 x Ø32.0mm, Bottom 2 x Ø25.5mm
- Channel protection: 25 Amp, type C, neutral disconnect thermal magnetic circuit breaker per channel, breaking capacity 6000A
- Cooling: Convection
- Operating Temperature: +5°C to +40°C
- Humidity: 5% to 95% Non condensing

## CONTACT US

+44 (0)1633 838088

enquiries@zero88.com

www.zero88.com

Zero 88  
Usk House, Lakeside,  
Llantarnam Park,  
Cwmbran, NP44 3HD. UK

Changes to the products, to the information contained in this document, and to prices are reserved; so are errors and omissions.

Zero 88 is a registered trademark.

©2018-2021 Signify Holding.  
All Rights Reserved.

All other trademarks are property of their respective owners.

Chilli\_Pro\_6\_Dimmer\_Datasheet\_UK\_Rev5\_0921



FM 727924