

SPLITTER 8

FLEXIBLE DMX / RDM SPLITTER & DATA FIX

KEY FEATURES

- 1 input, 8 output DMX / RDM splitting
- Fully RDM compatible
- "Fix Switch" for data-fixing
- Opto Isolated Input
- Electrically (transient) protected outputs
- Desk Mount or 1RU 19" Form Factor
- Neutrik 5pin XLR connectors
- IEC power connector
- 3 year warranty
- CE compliant to all relevant standards
- Designed and manufactured to ISO9001:2015 standards



OVERVIEW

Splitter 8 provides flexible DMX / RDM data distribution in a slim (1RU) 19" format, offering both splitter and "data fix" functionality in a single device.

Splitter 8 is fully compatible with the latest RDM protocol, ensuring your DMX distribution network is ready to meet your future demands. Splitter 8 is appropriate for permanent installations or as a flexible, adaptable rental & touring tool.

"Fix Switch" is designed for systems where compatibility issues (or poorly designed fixtures) are causing flickering. When enabled, "Fix Switch" discards non-DMX data (including RDM) and adjusts the DMX timing to values more likely to work with fixtures that do not fully comply with the DMX standard.

The input is optically isolated, with a "Thru" connection for further expansion. The eight buffered outputs are protected against electrical faults. All connectors are Neutrik parts.

Splitter 8 is ideal for use alongside Gateway 4 and Gateway 8 to build a larger data distribution system.

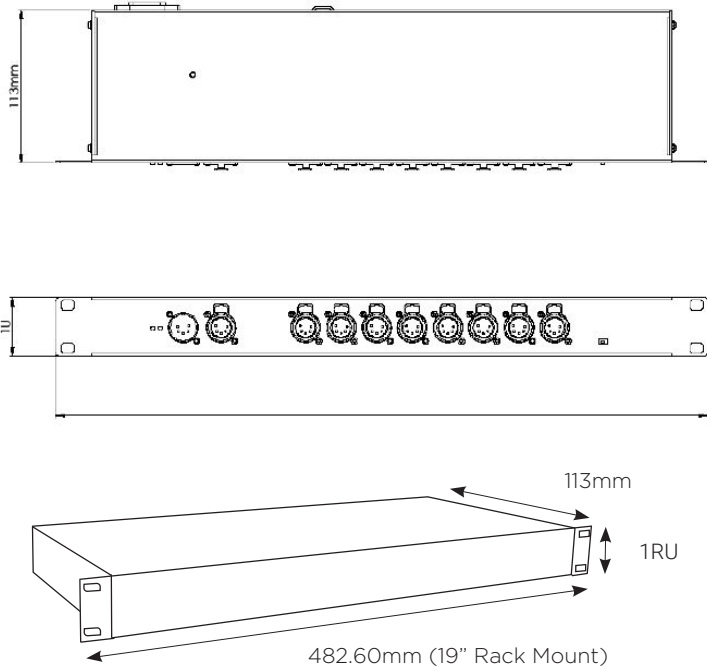
ORDERING INFORMATION

0050-000074-00	Splitter 8 UK
0050-000075-00	Splitter 8 Schuko/French
0050-000076-00	Splitter 8 US

SUPPLIED ACCESSORIES

IEC Mains Lead

DIMENSIONS:



Weight: 1.8kg

SPECIFICATIONS

- 19" 1U Rack metal Enclosure
- Desktop or 19" Rack Mounting
- Made in the United Kingdom
- Supply Voltage: 100 - 230 VAC
- Input power (max): 25 W
- Duty cycle: 100% @ 25°C
- Internal fuse: T1A slow blow
- Operating Temperature: 0°C to 40°C
- Storage Temperature: -10°C to +50°C
- Operating Relative Humidity (max): 80% Non Condensing
- IP Rating: IP20 Indoor Use Only
- Certification: CE, WEEE, RoHS
- Optically isolated input
- Split/Fix slide selector
- LEDs for Power & Data
- Input/Output protocols:
 - DMX512
 - DMX512 (1990)
 - DMX512-A
 - RDM V1.0 (E1.20 - 2010 ESTA Standard)
- 3 year warranty

CONTACT US

+44 (0)1633 838088

enquiries@zero88.com

www.zero88.com

Zero 88
Usk House, Lakeside,
Llantarnam Park,
Cwmbran, NP44 3HD, UK

Changes to the products, to the information contained in this document, and to prices are reserved; so are errors and omissions.

Zero 88 is a registered trademark.

©2018-2021 Signify Holding.
All Rights Reserved.

All other trademarks are property of their respective owners.

Splitter_8_Datasheet_UK_Rev4_0921



FM 727924